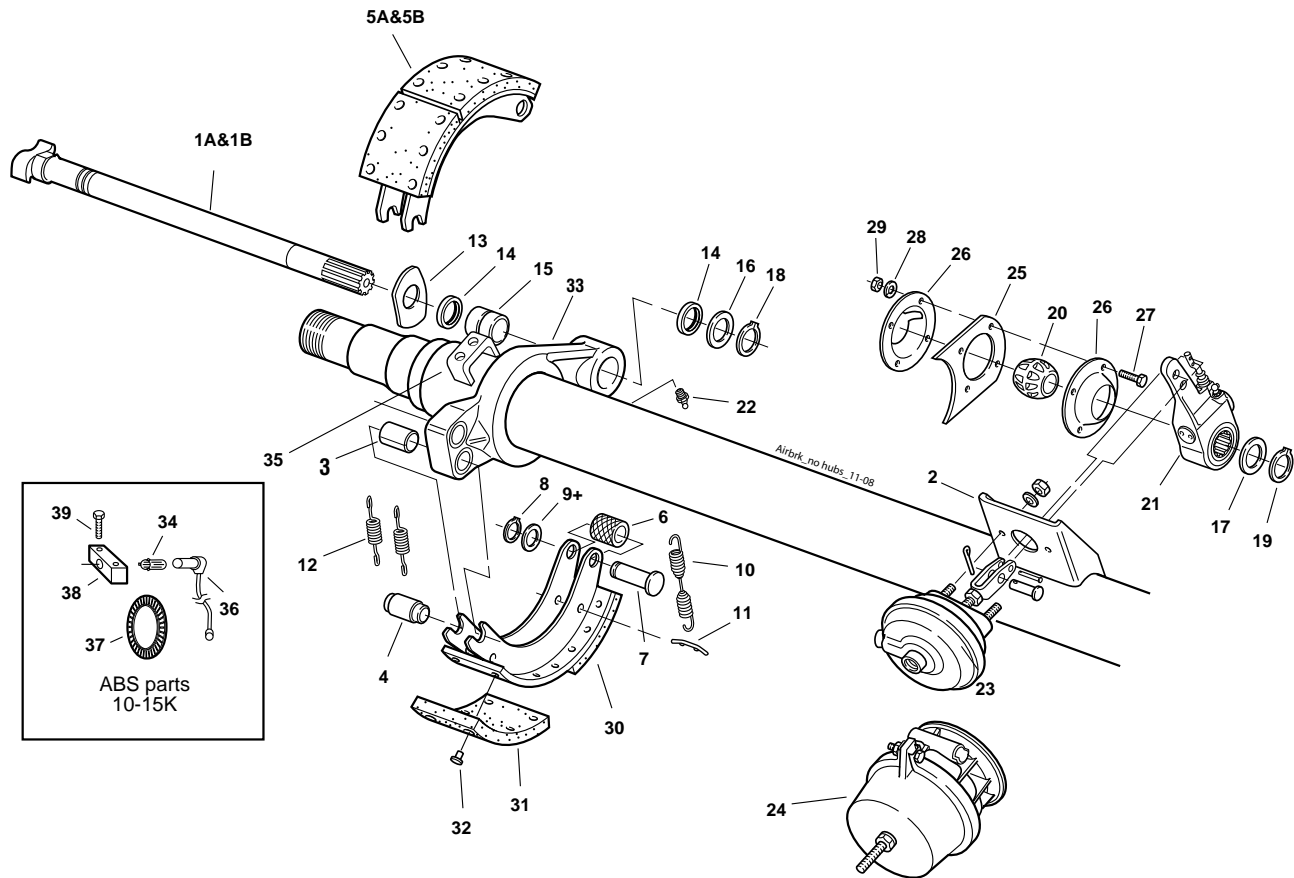


Air Brake Parts—"PQ" Style



Item	Description	Qty Per Brake	12¼" x 4" 10K, 13D Part No.	12¼" x 5" 12K, 15K Part No.
1A	Camshaft LH*	1	034-188-xx	034-188-xx
1B	Camshaft RH*	1	034-189-xx	034-189-xx
2	Air Chamber Bracket	1	034-048-00	034-048-00
5	Shoe & Lining Assembly	2	040-321-01	040-322-01
5A	Shoe & Roller Assembly RH	1	040-321-03	040-322-03
5B	Shoe & Roller Assembly LH	1	040-321-02	040-322-02
13	"D" Washer, Camshaft	1	005-074-00	005-074-00
14	Grease Seal	2	010-052-00	010-052-00
15	Camshaft Bushing	1	014-056-00	014-056-00
16	Washer-Camshaft Spider End	1	005-075-00	005-075-00
17	Camshaft Washer-28 Spline	1	005-134-00	005-134-00
18	Retainer-Camshaft	1	069-020-00	069-020-00
19	Retainer-Camshaft End	1	069-078-00	069-078-00
20	Camshaft Support Bushing	1	014-058-00	014-058-00
21	Automatic Slack Adjuster-28 Spline	1	055-040-99	055-040-99
21	Manual Slack Adjuster - 28 Spline	1	055-039-00	055-039-00
22	Grease Fitting	1	061-006-00	061-006-00
23	Air Chamber w/Hardware	1	034-260-00	034-059-00
24	Air Chamber w/Spring Brake	1	034-261-00	034-060-00
25	Plate - Camshaft Support Bracket	1	034-031-00	034-031-00
26	Plate, Bushing Retainer	2	034-032-00	034-032-00
27	Bolt, Retainer Plate	4	007-139-00	007-139-00
28	Lock Washer	4	005-079-00	005-079-00
29	Nut	4	006-099-00	006-099-00
33	Brake Spider	1	036-113-02	036-113-02

* For camshaft with part no. xx, see page 20.

Item	Description	Qty Per Brake	12¼" x 4" 10K, 13D Part No.	12¼" x 5" 12K, 15K Part No.
3	Bushing-Spider Anchor Pin	2	014-068-00	014-068-00
4	Anchor Pin	2	056-017-00	056-017-00
6	Roller	1	014-057-00	014-057-00
7	Roller Pin	2	056-010-00	056-010-00
8	Roller Pin Retainer	2	069-018-00	069-018-00
9	Roller Pin Spacer	2	005-076-00+	not used
10	Retractor Spring	1	046-092-00	046-092-00
11	Retainer Pin	2	056-018-00	056-018-00
12	Shoe Keeper Spring	2	046-097-00	046-097-00
ns	Instruction Sheet	1	059-553-00	059-553-00
31	Brake Block Anchor	2	041-052-01	041-053-01
30	Brake Block Cam	2	041-052-02	041-053-02
32	Rivet	24	022-018-00	022-048-00
ABS Components:				
34	ABS Sensor Retaining Clip	1	097-002-00	097-002-00
35	ABS Lower Sensor Mounting Block	1	024-101-00	024-101-00
36	ABS Sensor 90°	1	097-003-00	097-003-00
37	ABS Tone Ring in Drum	1	024-203-00	024-203-00
38	ABS Upper Sensor Mounting Block	1	024-101-01	024-101-01
39	Mounting Screw Upper Block	2	007-237-00	007-237-00

ns - not shown

+ Note: 005-076-00 is required for 10K shoes with ¼" shoe web thickness.

Not required for 5/16" shoe web thickness. Used only on 12¼" x 4" shoes with ¼" webs.